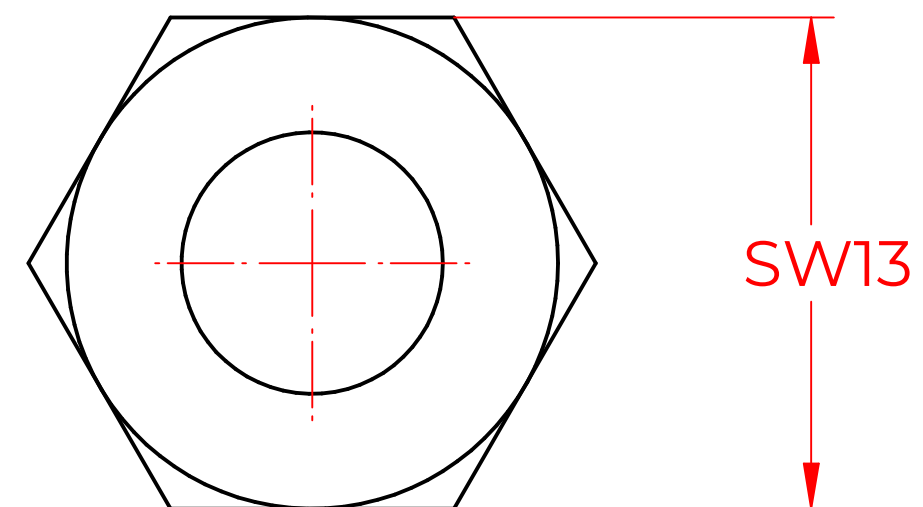
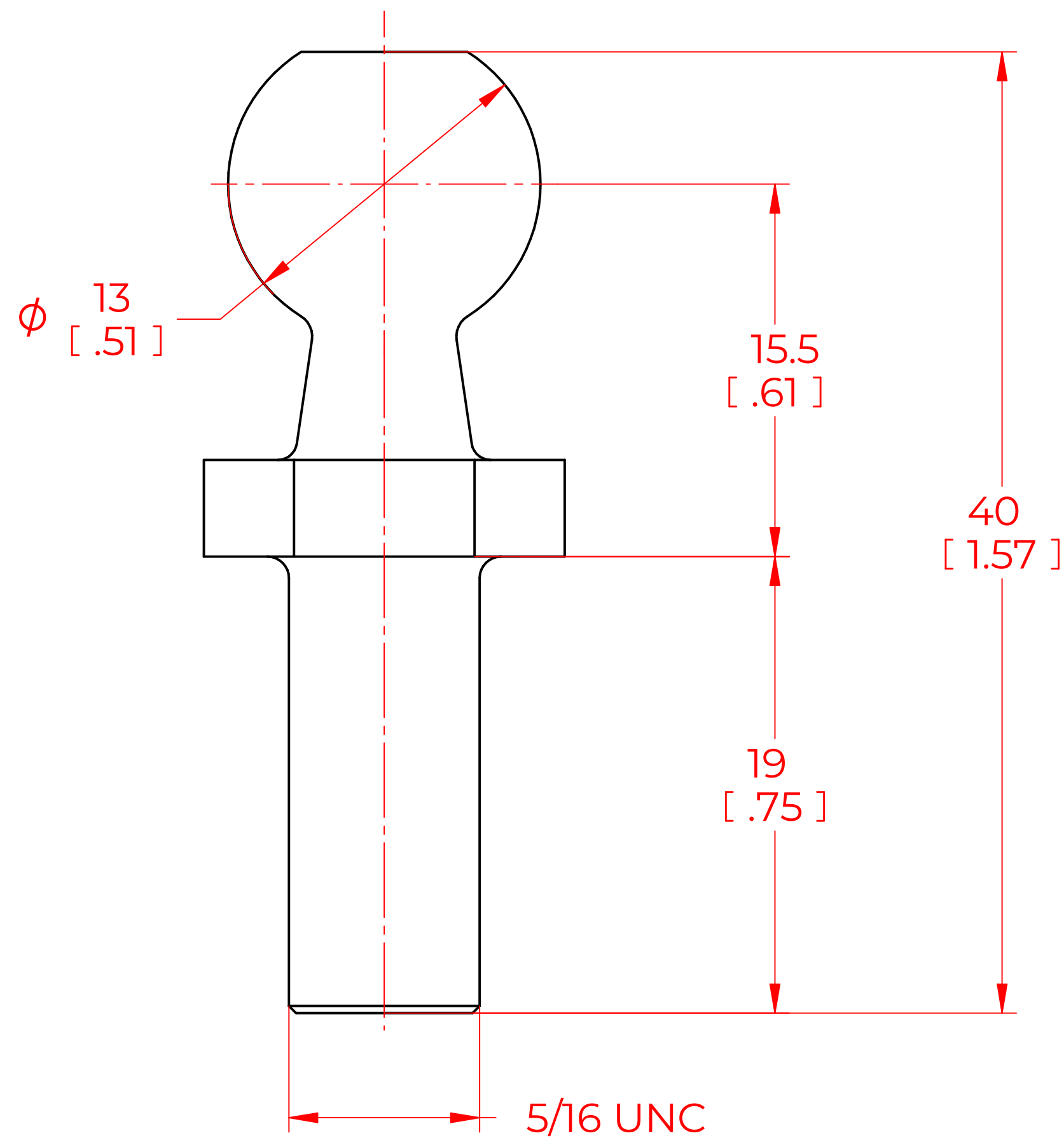


REVISION HISTORY			
REV	DESCRIPTION	DATE	APPROVED
1			
2			
3			



**NOTES:**

- 1) MATERIAL: ZINC PLATED STEEL
- 2) THREAD: 5/16-18 x .75

<b>NORMONT</b>	DRAWN	NAME	DATE
	CHECKED	CSH	04/25/2023
THIS DOCUMENT AND ITS CONTENTS ARE THE PROPERTY OF NORMONT THIS DOCUMENT CONTAINS CONFIDENTIAL PROPRIETARY INFORMATION. THE REPRODUCTION, DISTRIBUTION, UTILISATION OR THE COMMUNICATION OF THIS DOCUMENT OR ANY PART THEREOF, WITHOUT EXPRESS AUTHORISATION IS STRICTLY FORBIDDEN.	PART No.		REV
	NBS02-02		
	TITLE		
REMOVE ALL BURRS AND BREAK ALL SHARP EDGES	TOLERANCES		THIRD ANGLE PROJECTION
	X.X	± 0.060	
	X.XX	± 0.030	
	X.XXX	± 0.010	
	ANGLES	± 1°	
HOLES	± 0.005	SCALE	
ALL DIMENSIONS ARE <b>DUAL</b> UNLESS OTHERWISE SPECIFIED	SHEET 1 OF 1		5:1
			SIZE
			C