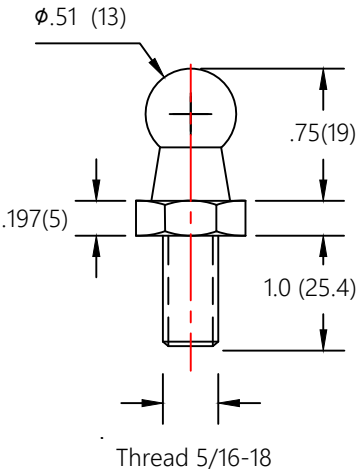
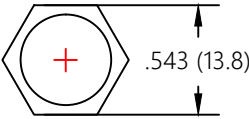


REVISION HISTORY			
REV	DESCRIPTION	DATE	APPROVED
			CSH



Material: steel with zinc plating

NORMONT	DRAWN	NAME	DATE
	CHECKED	DMA	09/30/2024
	DWG NO	NBS02-03	REV -
	TITLE Ball stud		
<small>THIS DOCUMENT AND ITS CONTENTS ARE THE PROPERTY OF NUJOMENG. THIS DOCUMENT CONTAINS CONFIDENTIAL PROPRIETARY INFORMATION. THE REPRODUCTION, DISTRIBUTION, UTILISATION OR THE COMMUNICATION OF THIS DOCUMENT OR ANY PART THEREOF, WITHOUT EXPRESS AUTHORISATION IS STRICTLY FORBIDDEN.</small>	TOLERANCES	THIRD ANGLE PROJECTION	SCALE
	X.X ± 0.060		N.T.S.
	X.XX ± 0.030		SIZE
	X.XXX ± 0.015		B
REMOVE ALL BURRS & BREAK ALL SHARP EDGES	ALL DIMENSIONS ARE IN inch UNLESS OTHERWISE SPECIFIED	ANGLES ± FE	SHEET 1 OF 1
		HOLES ± 0.005	