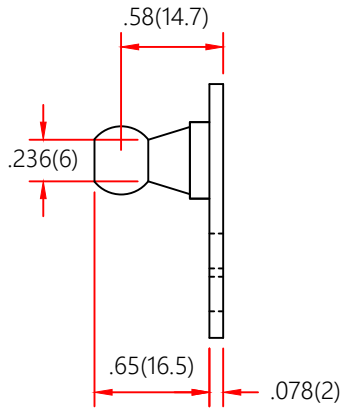
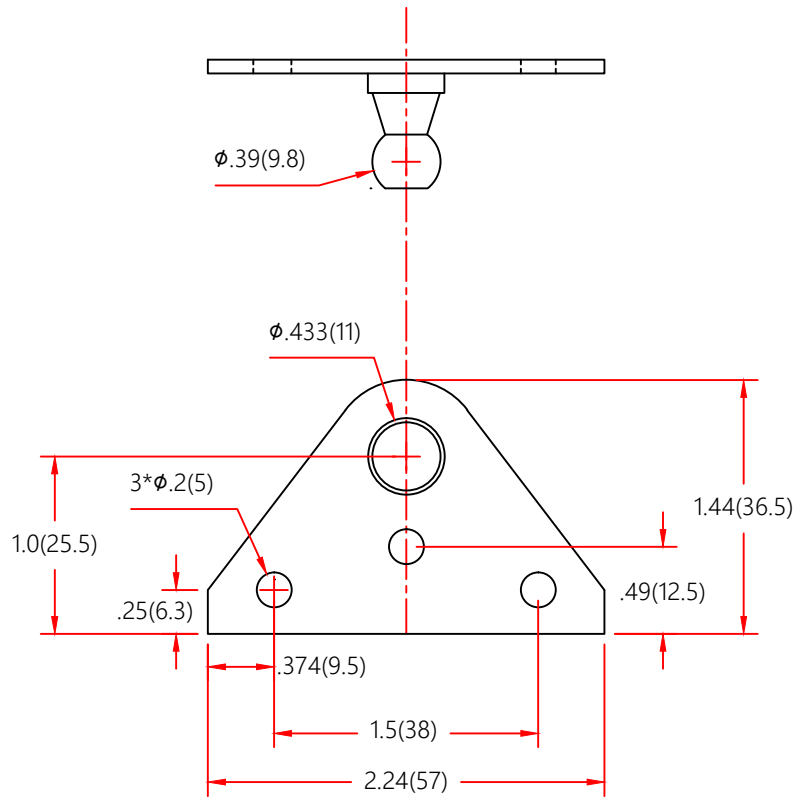


REVISION HISTORY			
REV	DESCRIPTION	DATE	APPROVED



Material: steel with black paint

<h1>NORMONT</h1> <p>THIS DOCUMENT AND ITS CONTENTS ARE THE PROPERTY OF NUJOMENG. THIS DOCUMENT CONTAINS CONFIDENTIAL PROPRIETARY INFORMATION. THE REPRODUCTION, DISTRIBUTION, UTILISATION OR THE COMMUNICATION OF THIS DOCUMENT OR ANY PART THEREOF, WITHOUT EXPRESS AUTHORIZATION IS STRICTLY FORBIDDEN.</p>	DRAWN	NAME	DATE
	CHECKED	Faith	3/26/21
	DWG NO	NBF01-01B	REV 0
	TITLE		
REMOVE ALL BURRS & BREAK ALL SHARP EDGES	ALL DIMENSIONS ARE IN <b>inch</b> UNLESS OTHERWISE SPECIFIED	TOLERANCES	THIRD ANGLE PROJECTION
		X.X ± 0.060	
		X.XX ± 0.030	
		X.XXX ± 0.015	SCALE
		ANGLES ± FE	N.T.S.
		HOLES ± 0.005	SIZE
			B
			SHEET 1 OF 1