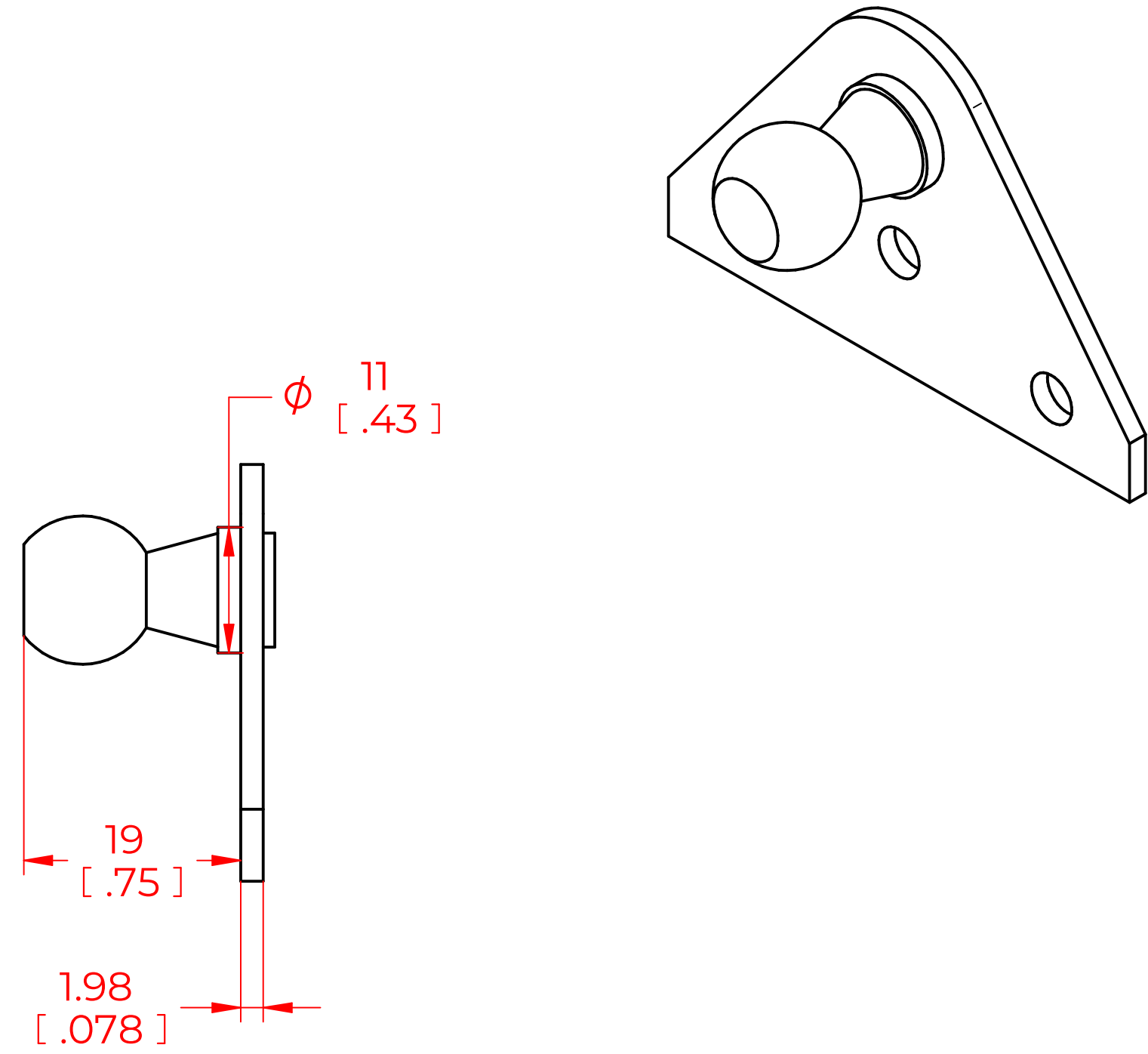
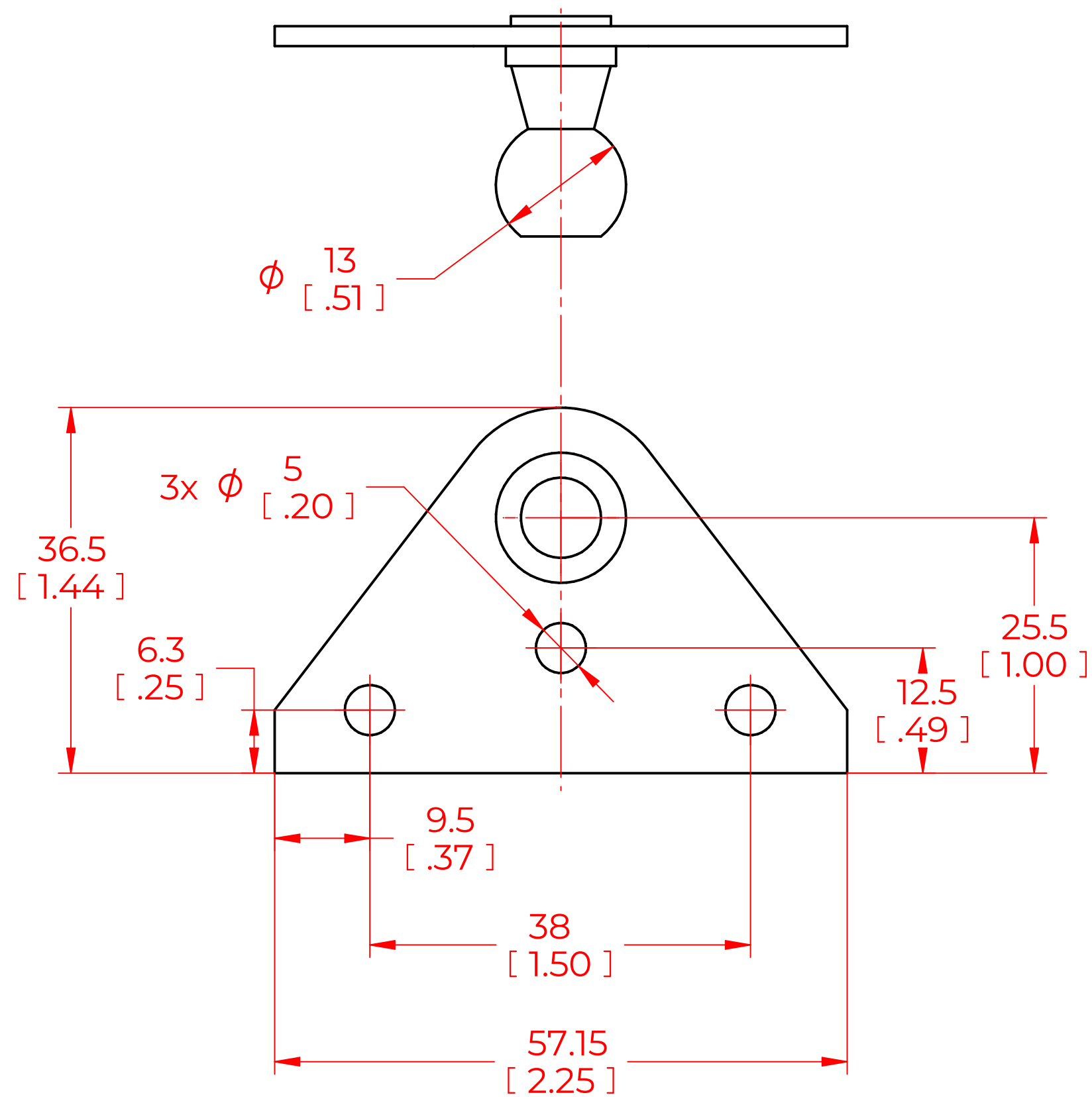


REVISION HISTORY			
REV	DESCRIPTION	DATE	APPROVED
1	-	-	-
2	-	-	-
3	-	-	-



- NOTES:**  
 1) MATERIAL: ZINC PLATED STEEL  
 2) BALL STUD DIAMETER: 0.51 IN / 13 MM  
 3) DESCRIPTION: 2.25 W / 1.44 H / 0.078 THICK

<b>NORMONT</b>	DRAWN	NAME	DATE
	CHECKED	CSH	04/04/2023
		-	-
THIS DOCUMENT AND ITS CONTENTS ARE THE PROPERTY OF NORMONT THIS DOCUMENT CONTAINS CONFIDENTIAL PROPRIETARY INFORMATION. THE REPRODUCTION, DISTRIBUTION, UTILISATION OR THE COMMUNICATION OF THIS DOCUMENT OR ANY PART THEREOF, WITHOUT EXPRESS AUTHORISATION IS STRICTLY FORBIDDEN.	PART No.	NBF01-02	
	TITLE	BRACKET	
	TOLERANCES	THIRD ANGLE PROJECTION	SCALE
	X.X		± 0.060
X.XX	± 0.030		
REMOVE ALL BURRS AND BREAK ALL SHARP EDGES	X.XXX	± 0.010	SIZE
ALL DIMENSIONS ARE DUAL UNLESS OTHERWISE SPECIFIED	ANGLES	± 1°	C
	HOLES	± 0.005	SHEET 1 OF 1