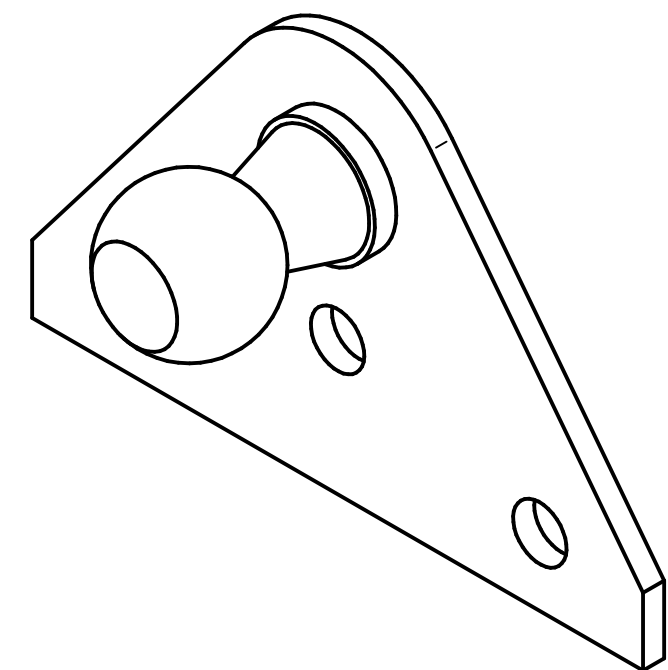
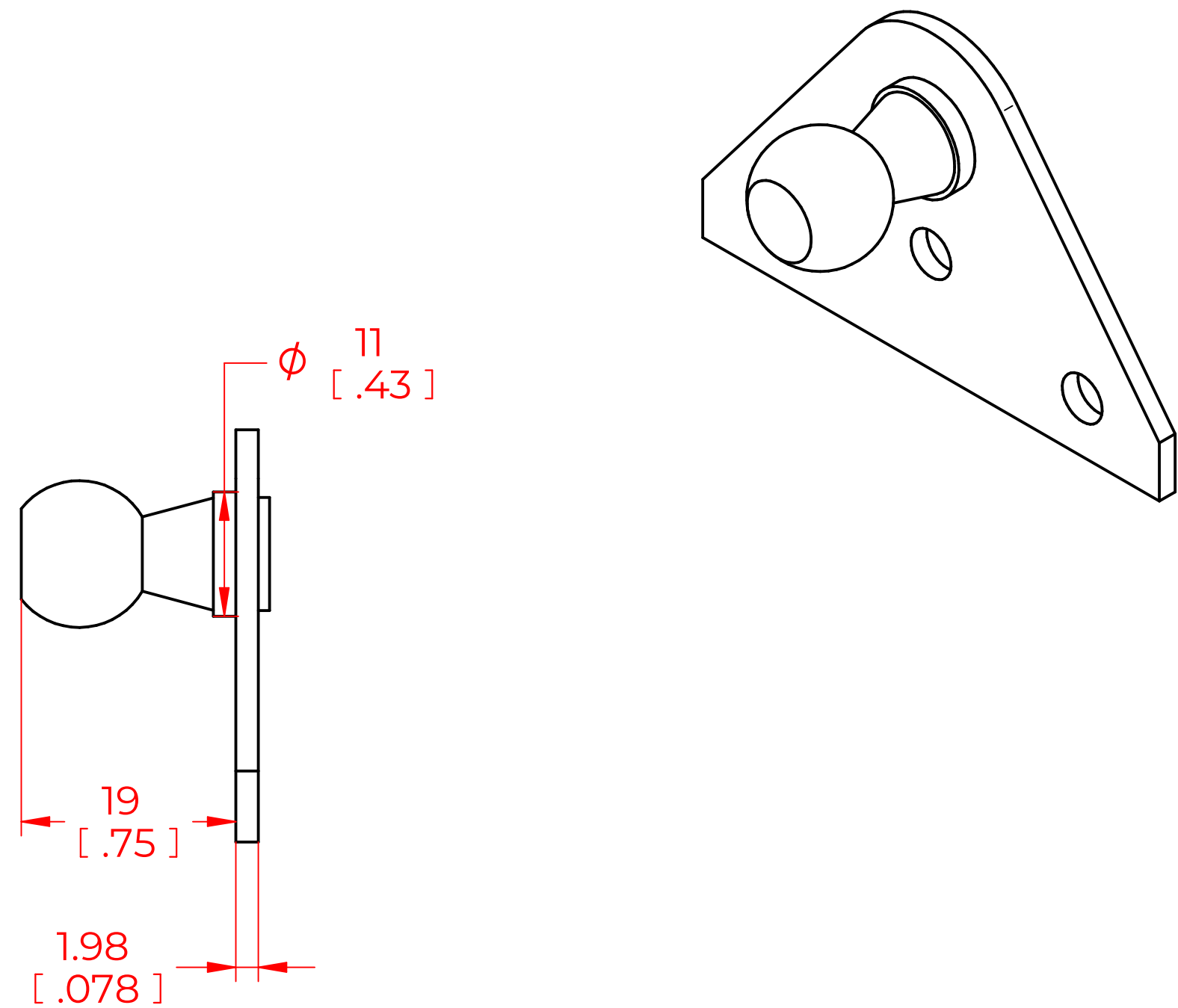
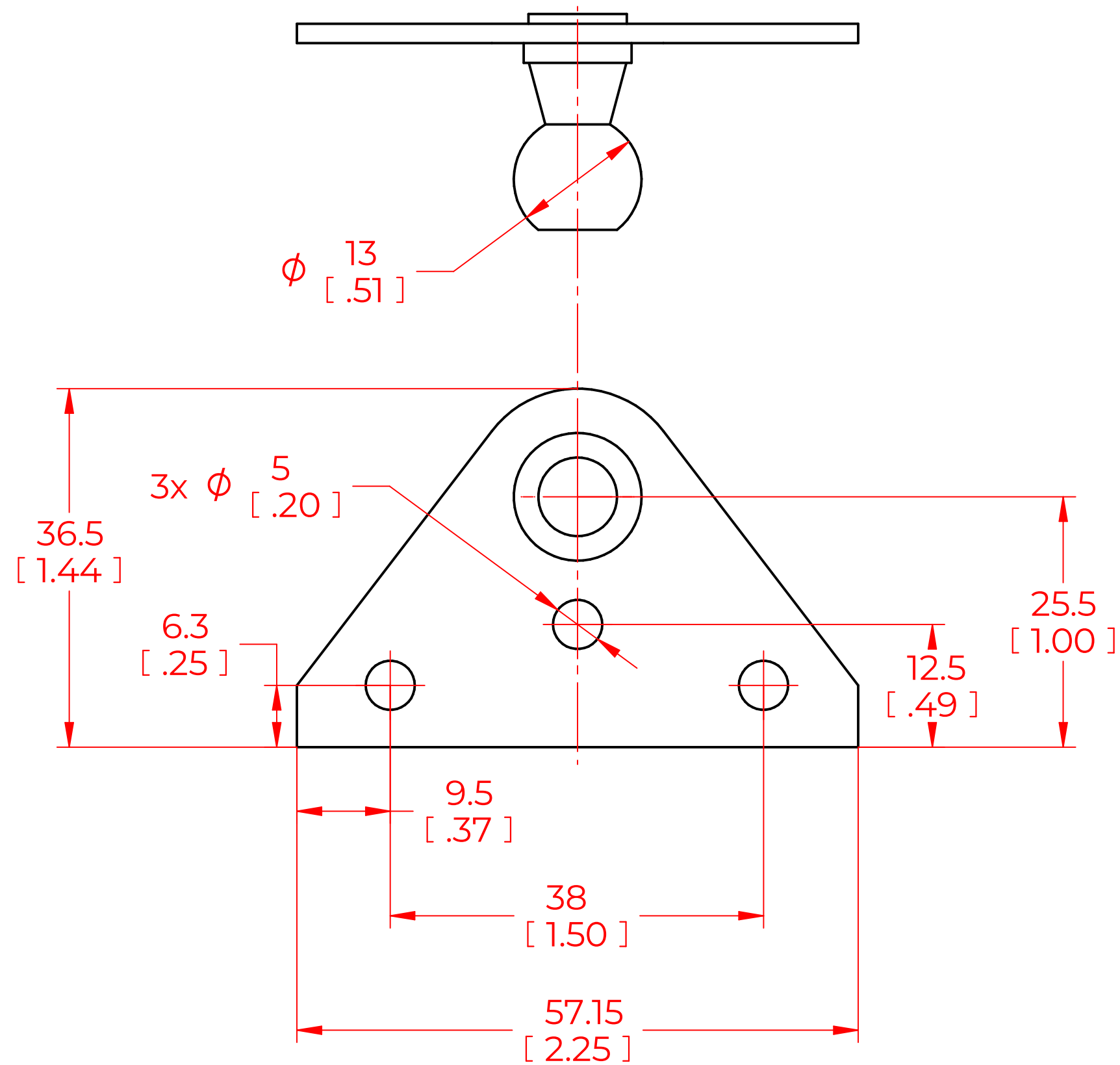


REVISION HISTORY			
REV	DESCRIPTION	DATE	APPROVED
1	-	-	-
2	-	-	-
3	-	-	-



NOTES:

- 1) MATERIAL: ZINC PLATED STEEL
- 2) BALL STUD DIAMETER: 0.51 IN / 13 MM
- 3) DESCRIPTION: 2.25 W / 1.44 H / 0.078 THICK / BLACK POWDER COATED

NORMONT	NAME		DATE
	DRAWN	CSH	04/04/2023
	CHECKED	-	-
THIS DOCUMENT AND ITS CONTENTS ARE THE PROPERTY OF NORMONT THIS DOCUMENT CONTAINS CONFIDENTIAL PROPRIETARY INFORMATION. THE REPRODUCTION, DISTRIBUTION, UTILISATION OR THE COMMUNICATION OF THIS DOCUMENT OR ANY PART THEREOF, WITHOUT EXPRESS AUTHORISATION IS STRICTLY FORBIDDEN.	PART No.		REV
	NBF01-02B		-
	TITLE		
	BRACKET		
REMOVE ALL BURRS AND BREAK ALL SHARP EDGES	TOLERANCES		THIRD ANGLE PROJECTION
	X.X	± 0.060	
	X.XX	± 0.030	SCALE 2:1
	X.XXX	± 0.010	
ALL DIMENSIONS ARE DUAL UNLESS OTHERWISE SPECIFIED		SHEET 1 OF 1	SIZE C
ANGLES ± 1°			
HOLES ± 0.005			