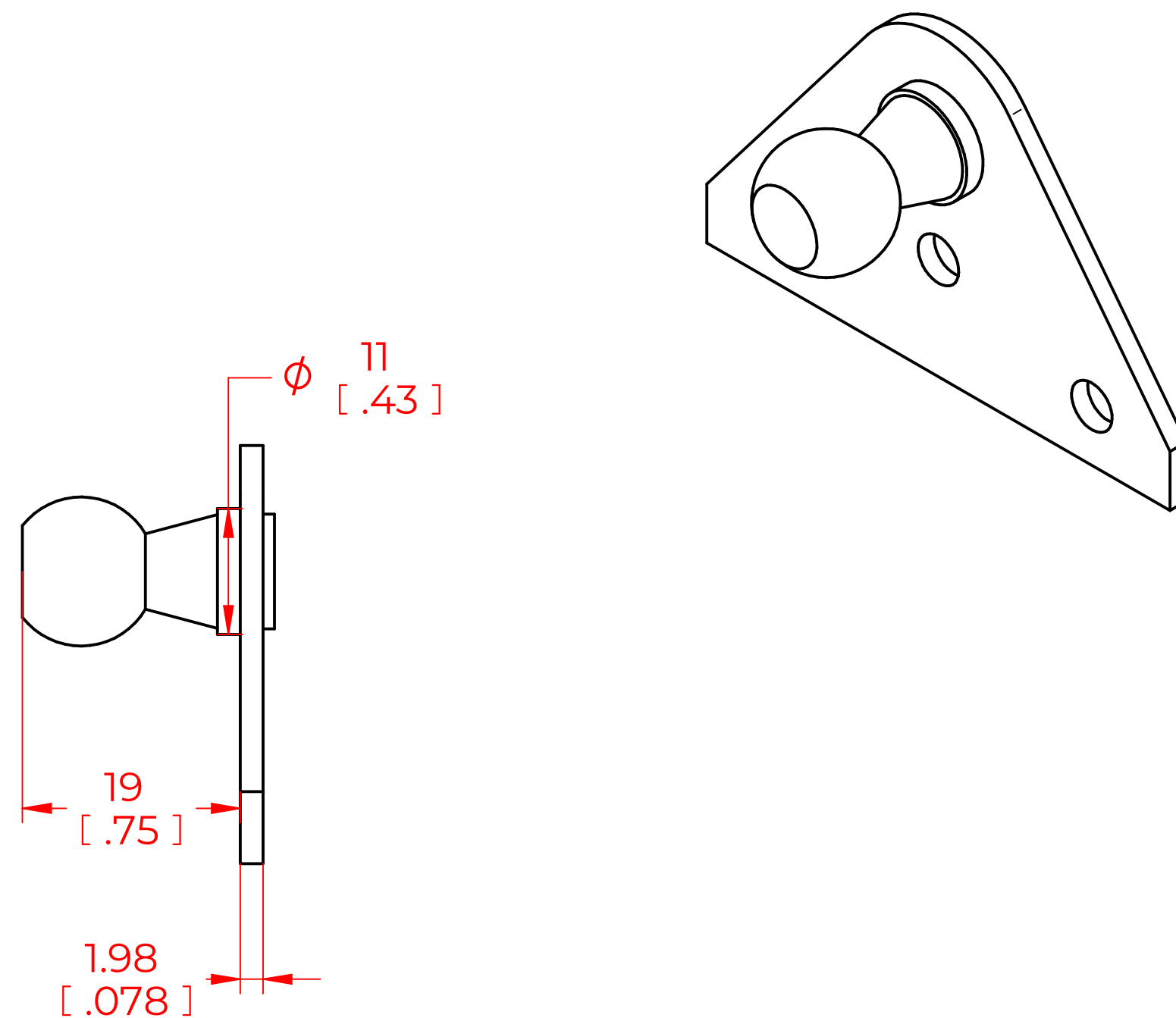
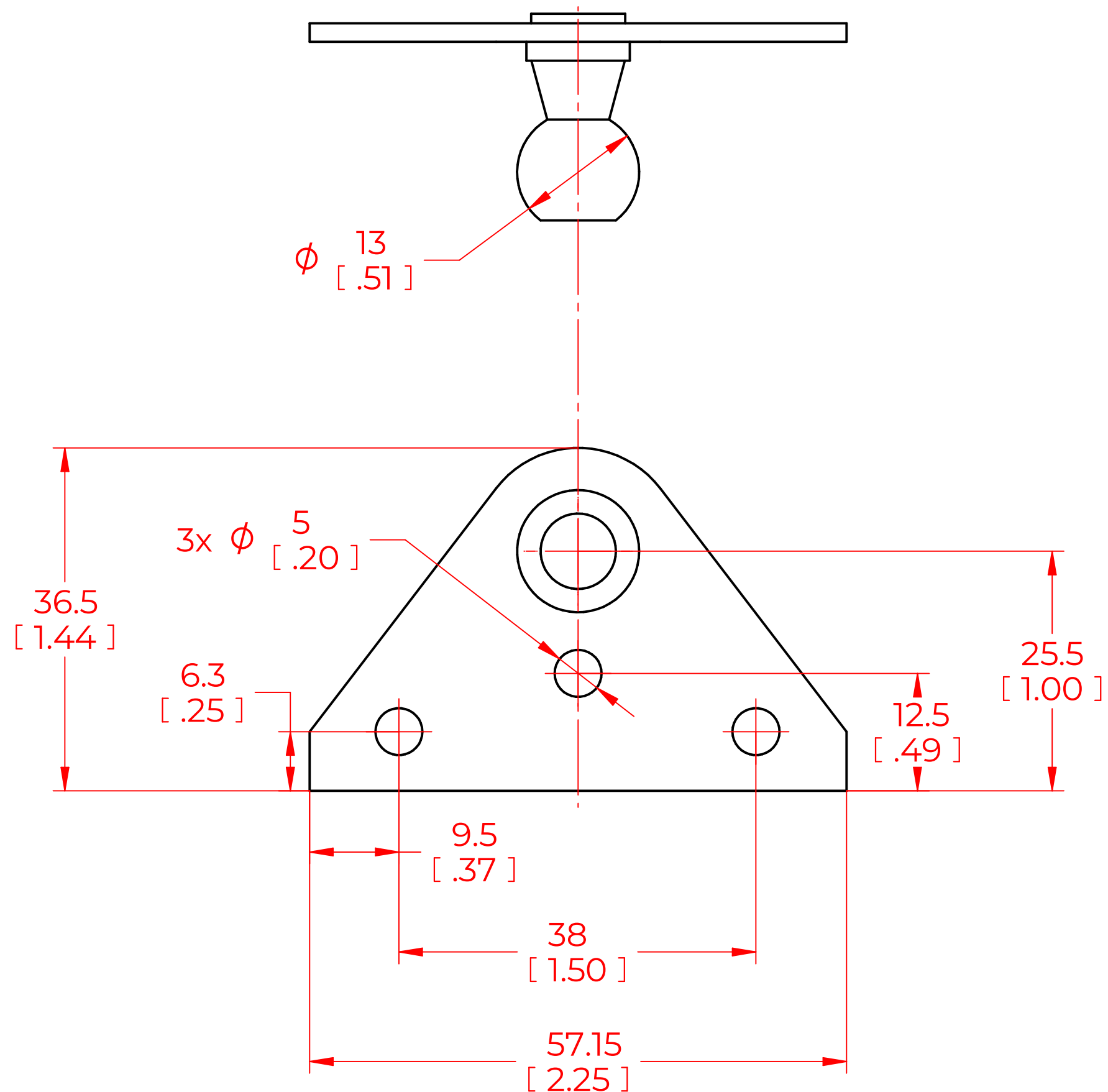


| REVISION HISTORY |             |      |          |
|------------------|-------------|------|----------|
| REV              | DESCRIPTION | DATE | APPROVED |
| 1                | -           | -    | -        |
| 2                | -           | -    | -        |
| 3                | -           | -    | -        |



**NOTES:**

- 1) MATERIAL: STAINLESS STEEL
- 2) BALL STUD DIAMETER: 0.51 IN / 13 MM
- 3) DESCRIPTION: 2.25 W / 1.44 H / 0.078 THICK

|  |            |                        |              |
|--|------------|------------------------|--------------|
| <b>NORMONT</b>   | DRAWN      | NAME                   | DATE         |
|  | CHECKED    | CSH                    | 04/04/2023   |
|  |            | -                      | -            |
| THIS DOCUMENT AND ITS CONTENTS ARE THE PROPERTY OF NORMONT<br>THIS DOCUMENT CONTAINS CONFIDENTIAL PROPRIETARY INFORMATION. THE REPRODUCTION, DISTRIBUTION, UTILISATION OR THE COMMUNICATION OF THIS DOCUMENT OR ANY PART THEREOF, WITHOUT EXPRESS AUTHORISATION IS STRICTLY FORBIDDEN. | PART No.   | NBF01-02SS             |              |
|  | TITLE      | BRACKET                |              |
|  | TOLERANCES | THIRD ANGLE PROJECTION | SCALE        |
|  | X.X        |                        | ± 0.060      |
| X.XX   | ± 0.030    |                        |              |
| REMOVE ALL BURRS AND BREAK ALL SHARP EDGES   | X.XXX      | ± 0.010                | SIZE         |
| ALL DIMENSIONS ARE <b>DUAL</b> UNLESS OTHERWISE SPECIFIED  | ANGLES     | ± 1°                   | <b>C</b>     |
|  | HOLES      | ± 0.005                | SHEET 1 OF 1 |