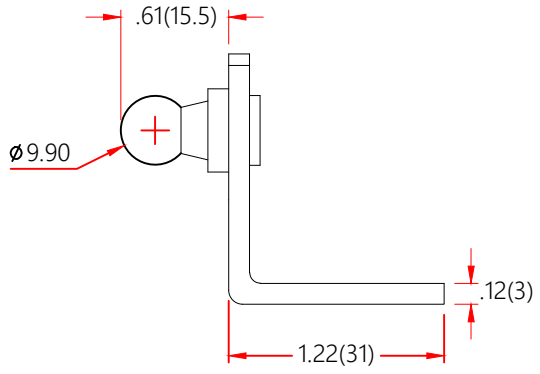
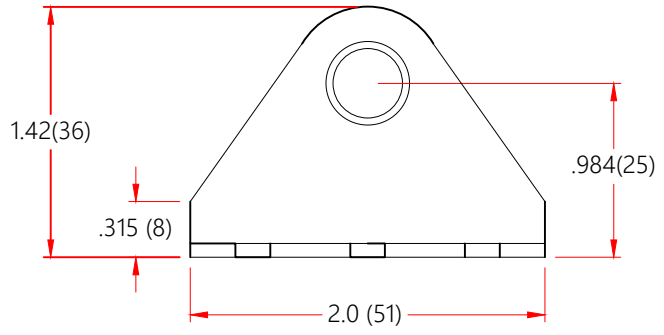
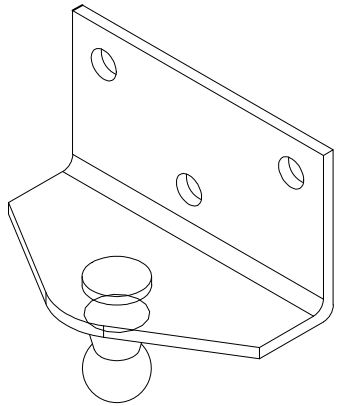
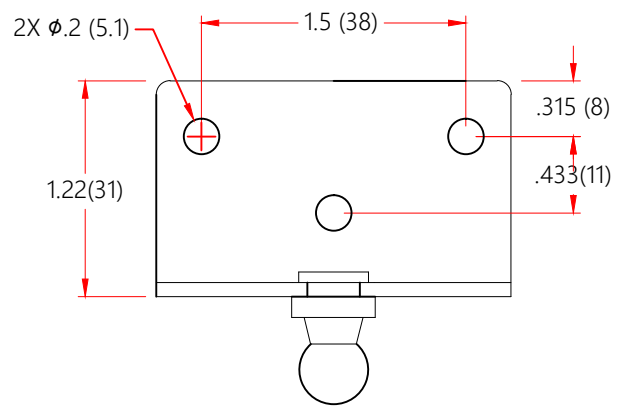


REVISION HISTORY			
REV	DESCRIPTION	DATE	APPROVED



Material: Steel
Surface treatment: black paint

NORMONT	DRAWN	NAME	DATE
	CHECKED	Faith	3/26/21
THIS DOCUMENT AND ITS CONTENTS ARE THE PROPERTY OF NUJOMENG. THIS DOCUMENT CONTAINS CONFIDENTIAL PROPRIETARY INFORMATION. THE REPRODUCTION, DISTRIBUTION, UTILISATION OR THE COMMUNICATION OF THIS DOCUMENT OR ANY PART THEREOF, WITHOUT EXPRESS AUTHORIZATION IS STRICTLY FORBIDDEN.	DWG NO		REV
	NBR02-01B		0
	TITLE		
Gas spring bracket			
REMOVE ALL BURRS & BREAK ALL SHARP EDGES	ALL DIMENSIONS ARE IN Inch UNLESS OTHERWISE SPECIFIED	TOLERANCES	THIRD ANGLE PROJECTION
		X.X ±0.060	
X.XX ±0.030	SCALE		
X.XXX ±0.015	N.T.S.		
ANGLES ±FE	SIZE		
HOLES ±0.005	B		
		SHEET 1 OF 1	