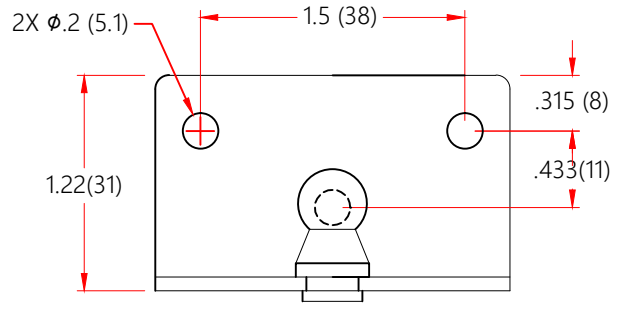
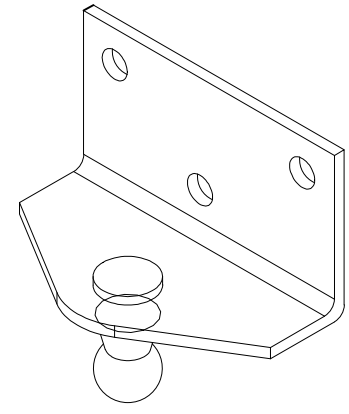
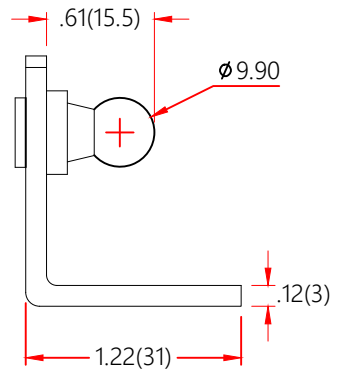
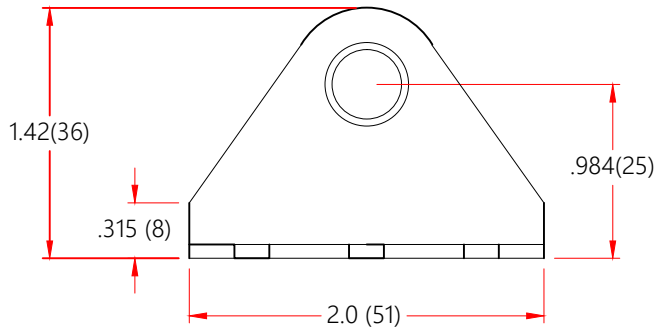


REVISION HISTORY			
REV	DESCRIPTION	DATE	APPROVED



B

B

A

A

Material: Steel  
Surface treatment: blue white zinc plated.

<b>NORMONT</b>	DRAWN	NAME	DATE
	CHECKED	Faith	3/26/21
<small>THIS DOCUMENT AND ITS CONTENTS ARE THE PROPERTY OF NUJOMENG. THIS DOCUMENT CONTAINS CONFIDENTIAL PROPRIETARY INFORMATION. THE REPRODUCTION, DISTRIBUTION, UTILISATION OR THE COMMUNICATION OF THIS DOCUMENT OR ANY PART THEREOF, WITHOUT EXPRESS AUTHORIZATION IS STRICTLY FORBIDDEN.</small>	DWG NO		REV
	NBR02-01R		0
	TITLE		
Gas spring bracket			
REMOVE ALL BURRS & BREAK ALL SHARP EDGES	ALL DIMENSIONS ARE IN <b>Inch</b> UNLESS OTHERWISE SPECIFIED		TOLERANCES X.X ± 0.060 X.XX ± 0.030 X.XXX ± 0.015 ANGLES ± FFE HOLES ± 0.005
	THIRD ANGLE PROJECTION 		SCALE N.T.S. SIZE <b>B</b>
		SHEET 1 OF 1	

4

3

2

1

4

3

2

1