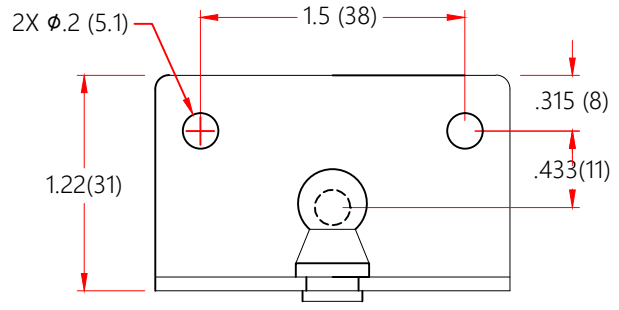
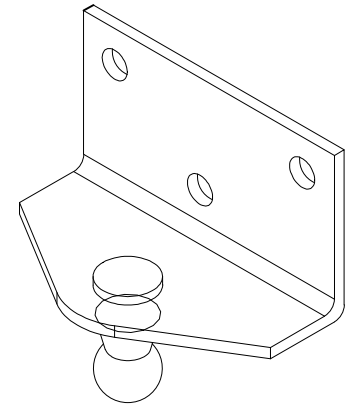
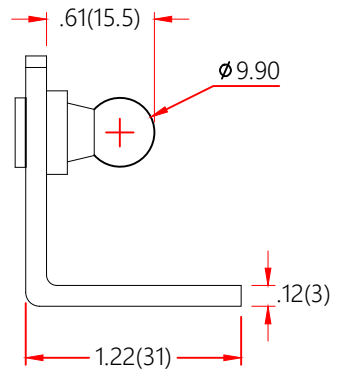
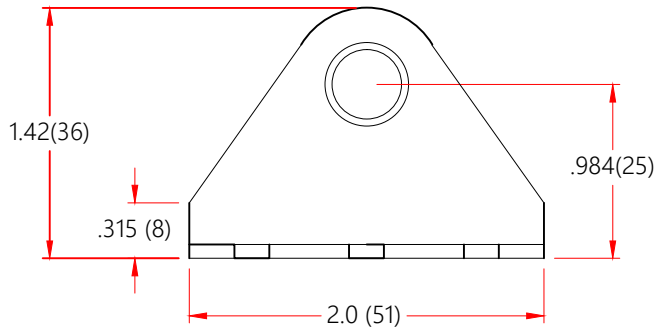


REVISION HISTORY			
REV	DESCRIPTION	DATE	APPROVED



B

B

A

A

Material: Steel
Surface treatment: blue white zinc plated.

NORMONT	DRAWN	NAME Faith	DATE 3/26/21
	CHECKED		
<small>THIS DOCUMENT AND ITS CONTENTS ARE THE PROPERTY OF NUJOMENG. THIS DOCUMENT CONTAINS CONFIDENTIAL PROPRIETARY INFORMATION. THE REPRODUCTION, DISTRIBUTION, UTILISATION OR THE COMMUNICATION OF THIS DOCUMENT OR ANY PART THEREOF, WITHOUT EXPRESS AUTHORIZATION IS STRICTLY FORBIDDEN.</small>	DWG NO NBR02-01RB		REV 0
	TITLE Gas spring bracket		
	TOLERANCES	THIRD ANGLE PROJECTION	SCALE
X.X ± 0.060		N.T.S.	
X.XX ± 0.030		SIZE	
X.XXX ± 0.015		B	
ANGLES ± F1			
HOLES ± 0.005	SHEET 1 OF 1		
REMOVE ALL BURRS & BREAK ALL SHARP EDGES	ALL DIMENSIONS ARE IN Inch UNLESS OTHERWISE SPECIFIED		

4

3

2

1

4

3

2

1