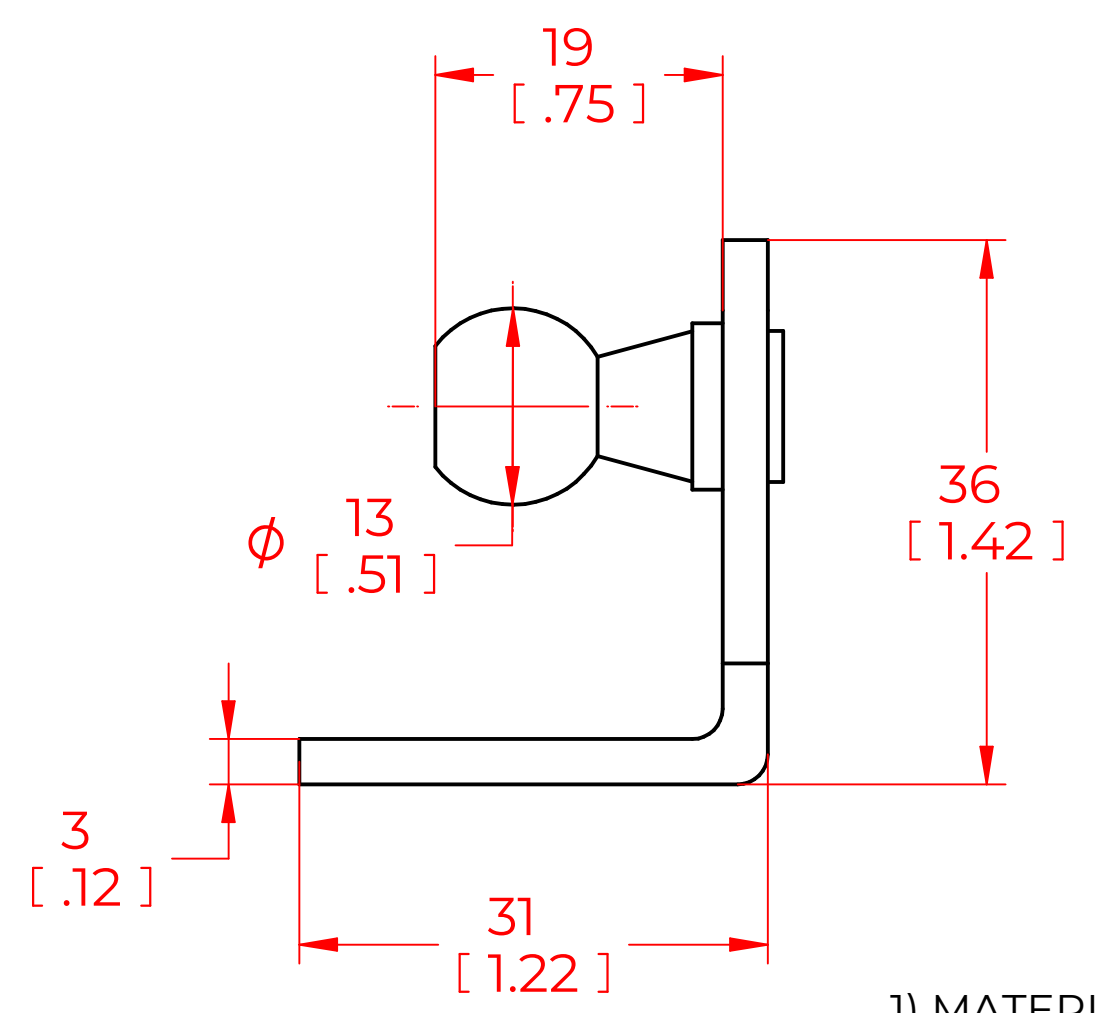
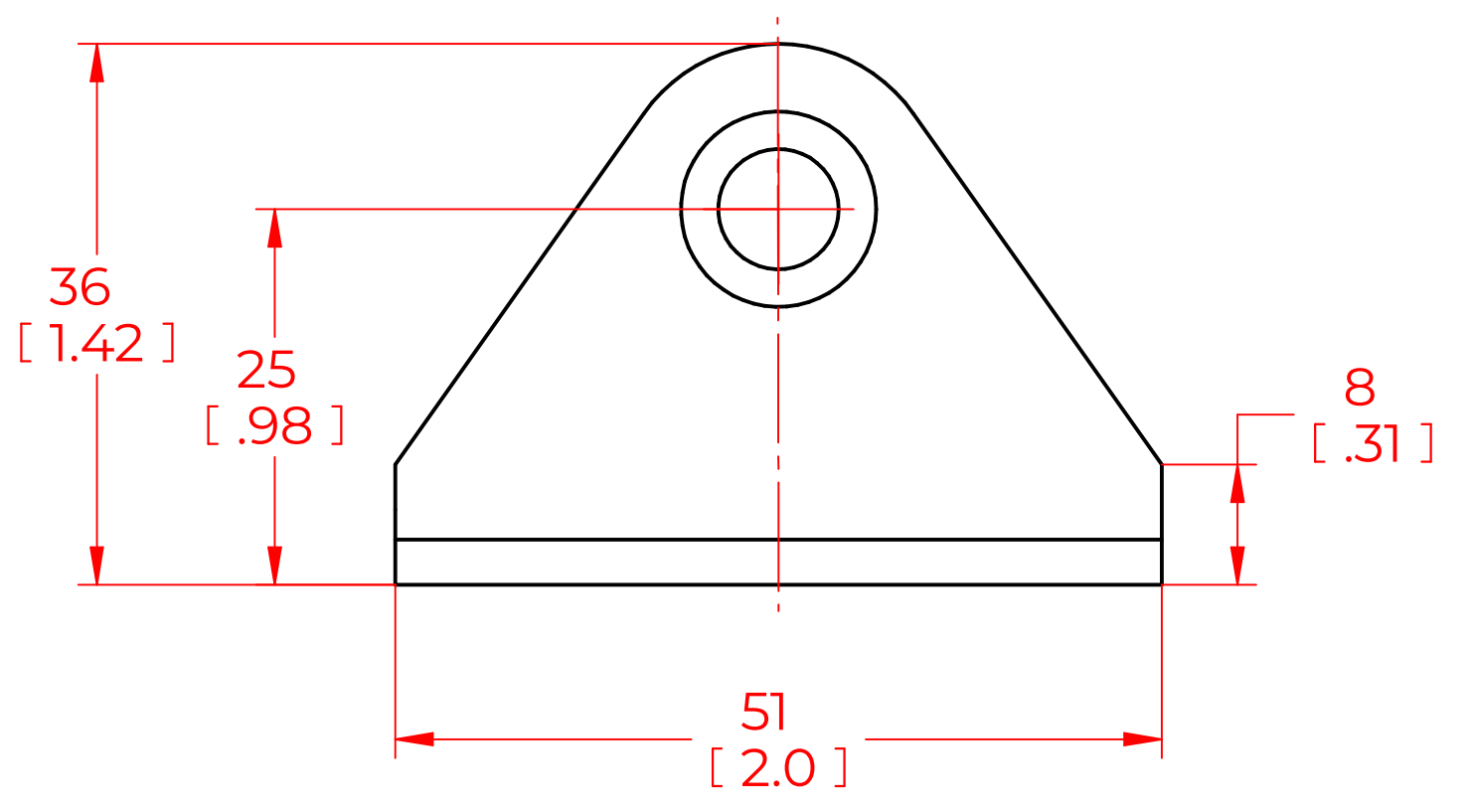
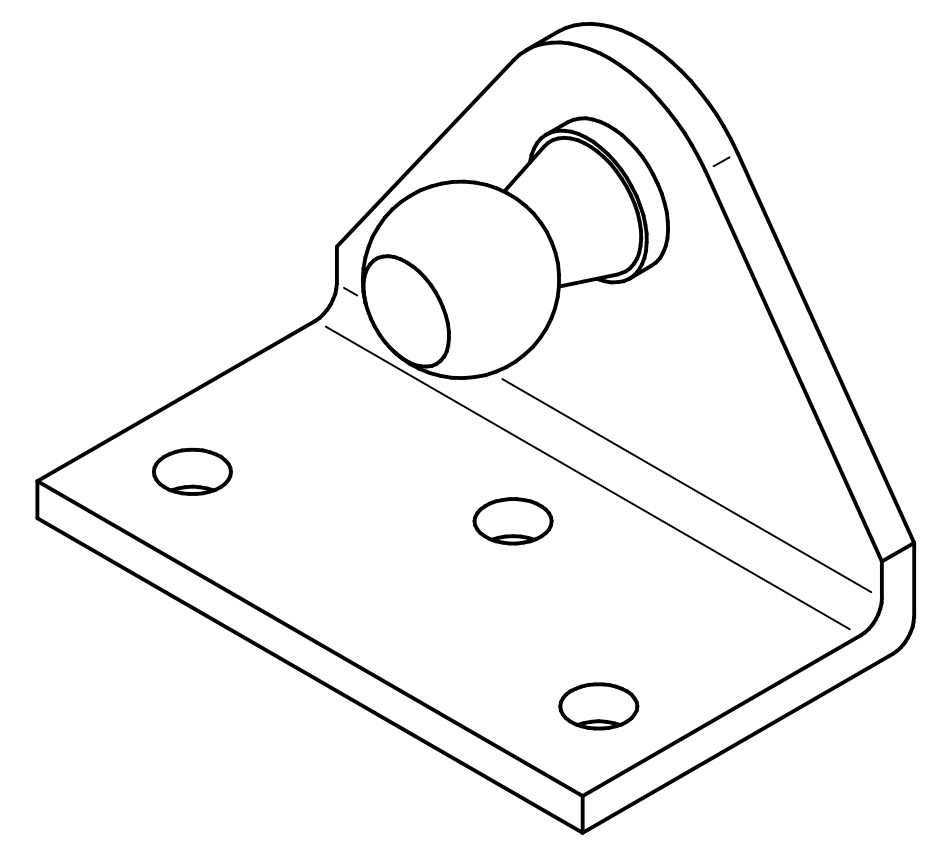
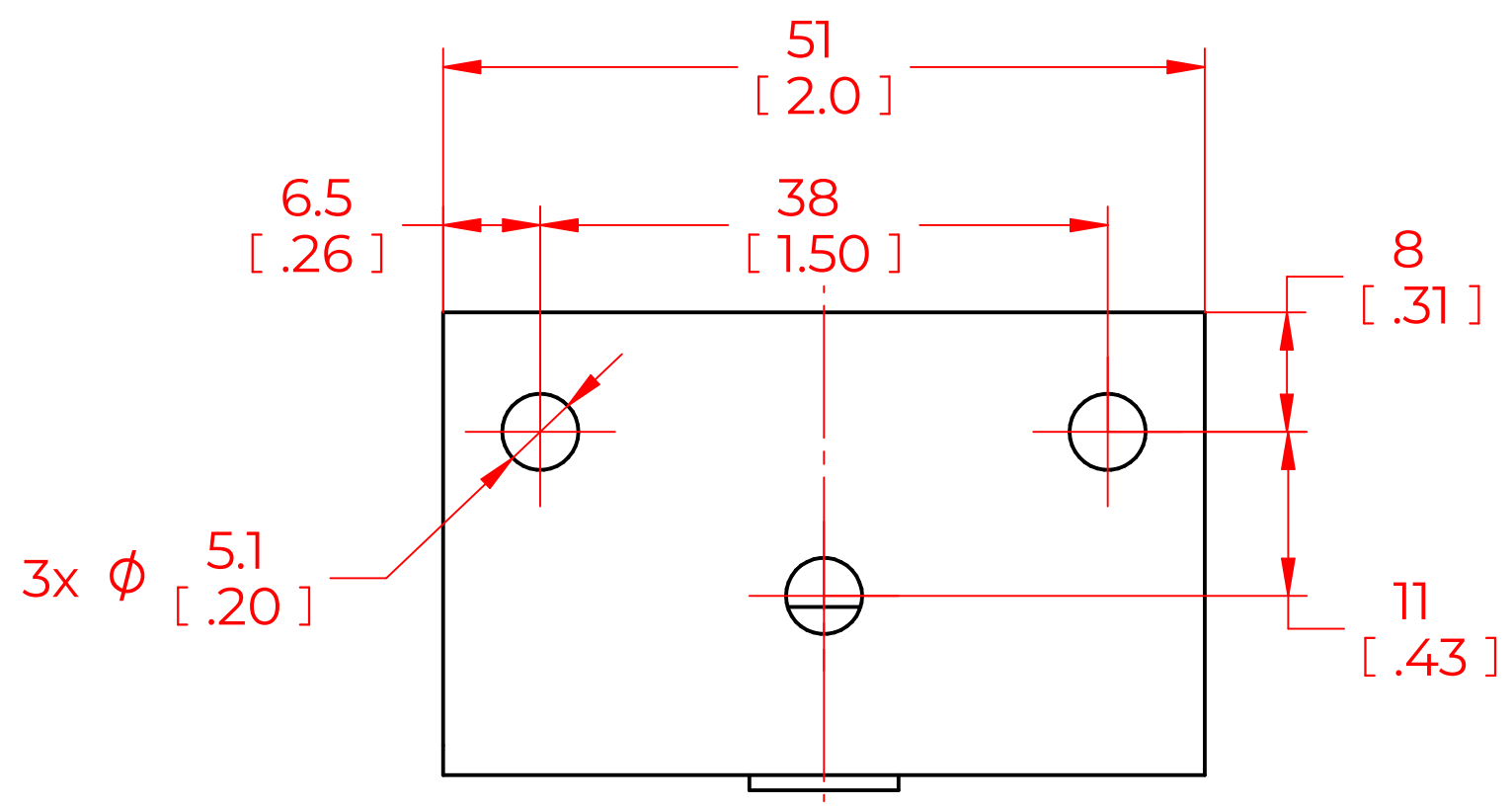


REVISION HISTORY			
REV	DESCRIPTION	DATE	APPROVED
1	-	-	-
2	-	-	-
3	-	-	-



- NOTES:**
- 1) MATERIAL: ZINC PLATED STEEL / BLACK POWDER COATED
  - 2) BALL STUD DIAMETER: 0.51 IN / 13 MM
  - 3) DESCRIPTION: REVERSE 90 DEG / BRACKET FOR < 90 LBS

<b>NORMONT</b>	NAME	CSH	DATE	04/05/2023		
	DRAWN		CHECKED			
THIS DOCUMENT AND ITS CONTENTS ARE THE PROPERTY OF NORMONT THIS DOCUMENT CONTAINS CONFIDENTIAL PROPRIETARY INFORMATION. THE REPRODUCTION, DISTRIBUTION, UTILISATION OR THE COMMUNICATION OF THIS DOCUMENT OR ANY PART THEREOF, WITHOUT EXPRESS AUTHORISATION IS STRICTLY FORBIDDEN.	PART No.	NBR02-02RB		REV	-	
	TITLE	BRACKET			SCALE	2:1
	TOLERANCES	X.X	± 0.060	THIRD ANGLE PROJECTION	SIZE	C
		X.XX	± 0.030			
	X.XXX	± 0.010				
REMOVE ALL BURRS AND BREAK ALL SHARP EDGES	ANGLES	± 1°		SHEET 1 OF 1		
	HOLES	± 0.005				
	ALL DIMENSIONS ARE <b>DUAL</b> UNLESS OTHERWISE SPECIFIED					