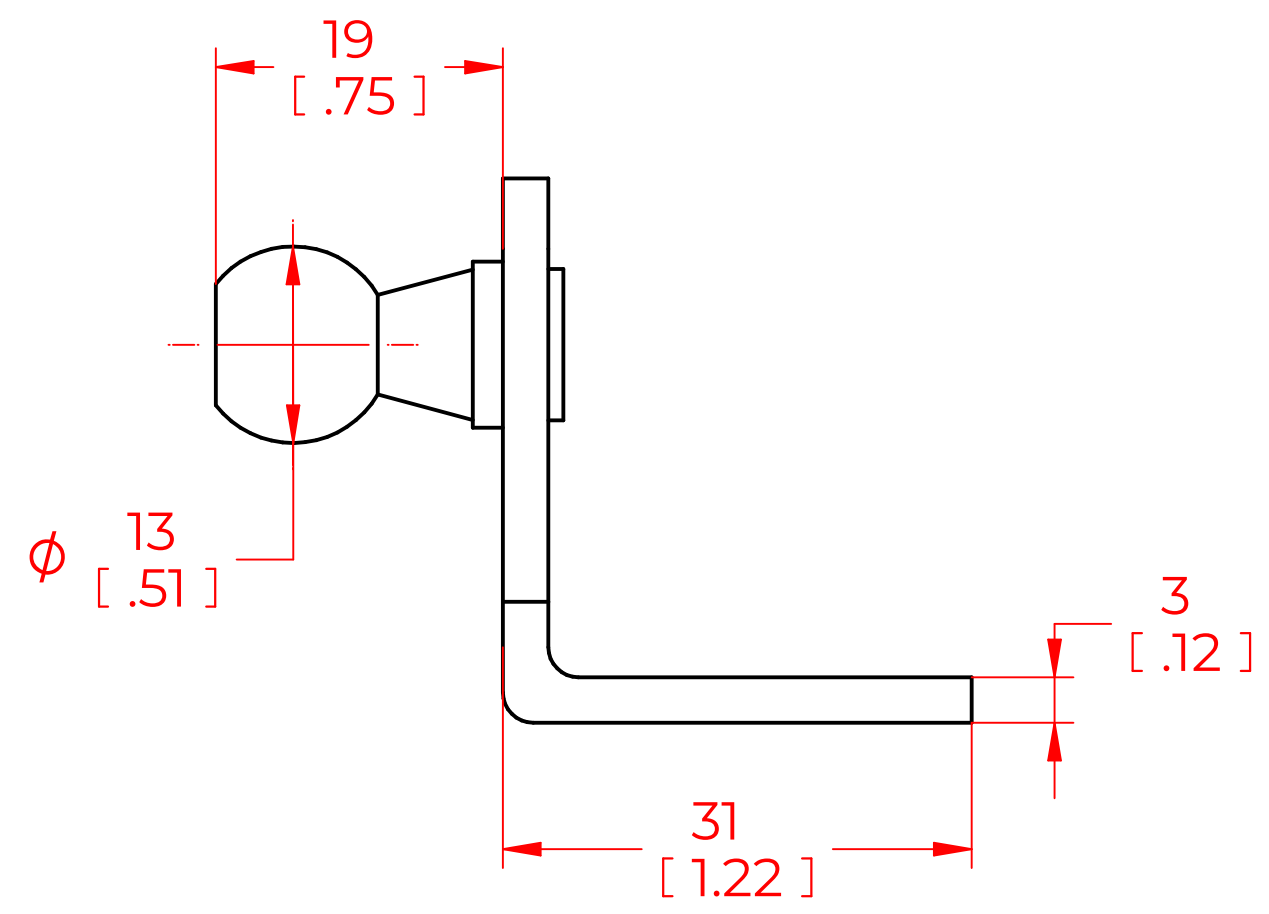
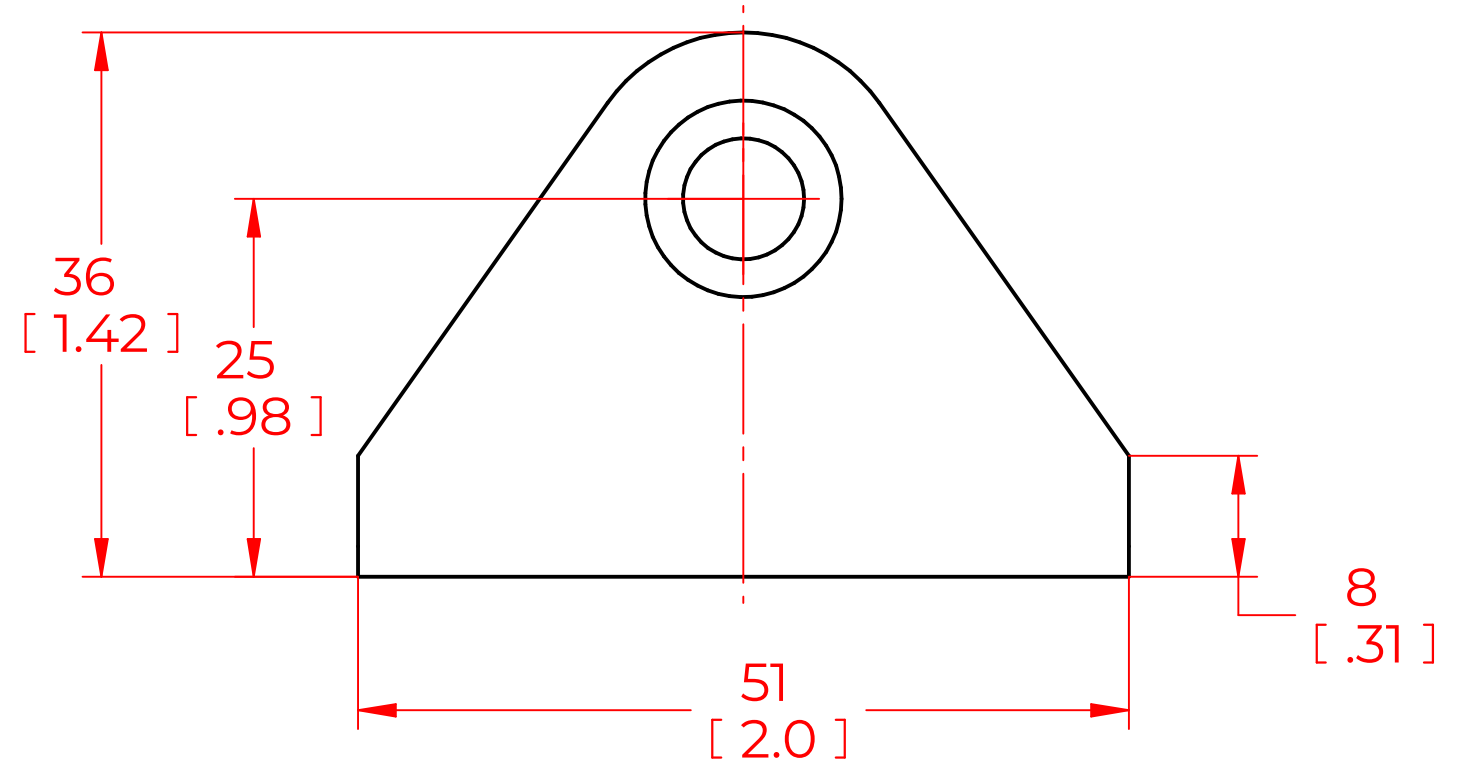
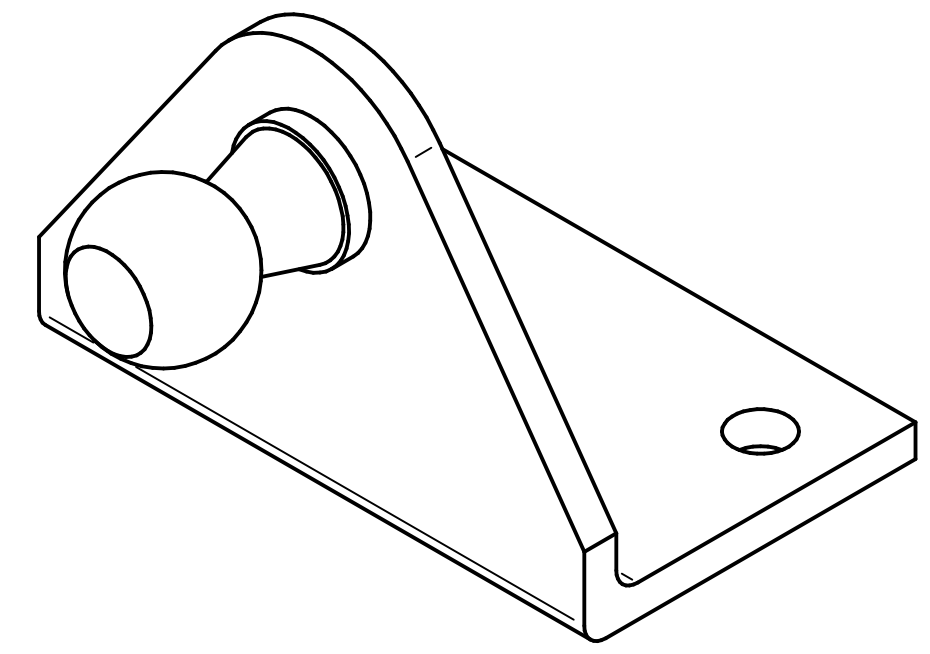
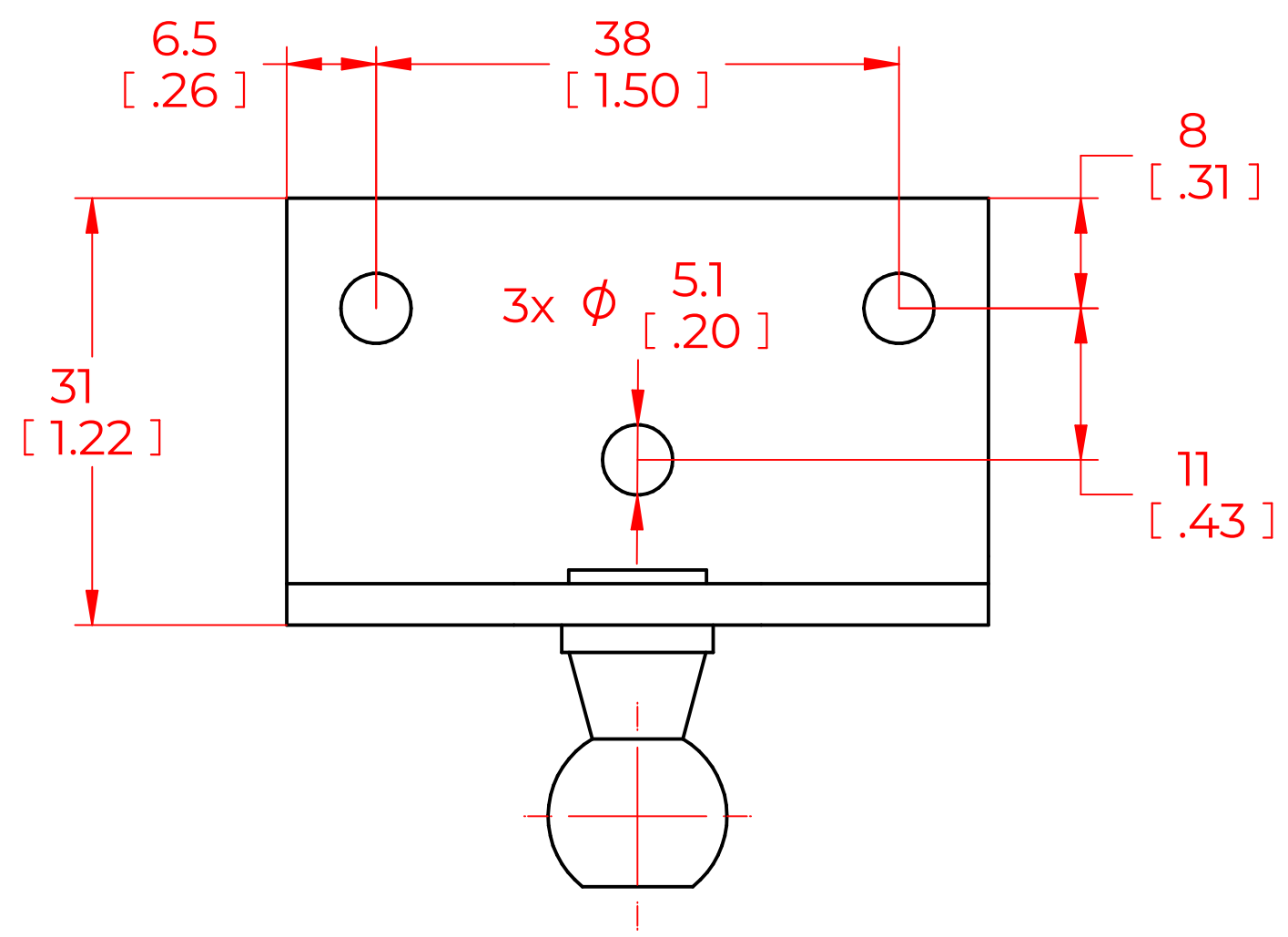


REVISION HISTORY			
REV	DESCRIPTION	DATE	APPROVED
1	-	-	-
2	-	-	-
3	-	-	-



NOTES:
 1) MATERIAL: STAINLESS STEEL
 2) BALL STUD DIAMETER: 0.51 IN / 13 MM
 3) DESCRIPTION: 90 DEG BRACKET FOR < 90 LBS

NORMONT	NAME	CSH	DATE	04/05/2023
	DRAWN			
THIS DOCUMENT AND ITS CONTENTS ARE THE PROPERTY OF NORMONT THIS DOCUMENT CONTAINS CONFIDENTIAL PROPRIETARY INFORMATION. THE REPRODUCTION, DISTRIBUTION, UTILISATION OR THE COMMUNICATION OF THIS DOCUMENT OR ANY PART THEREOF, WITHOUT EXPRESS AUTHORISATION IS STRICTLY FORBIDDEN.	CHECKED	-		
	PART No.	NBR02-02SS		REV
	TITLE	BRACKET		
	TOLERANCES	X.X	± 0.060	THIRD ANGLE PROJECTION
	X.XX	± 0.030	2:1	
	X.XXX	± 0.010	SIZE	
REMOVE ALL BURRS AND BREAK ALL SHARP EDGES	ALL DIMENSIONS ARE DUAL UNLESS OTHERWISE SPECIFIED	ANGLES	± 1°	C
		HOLES	± 0.005	
			SHEET 1 OF 1	