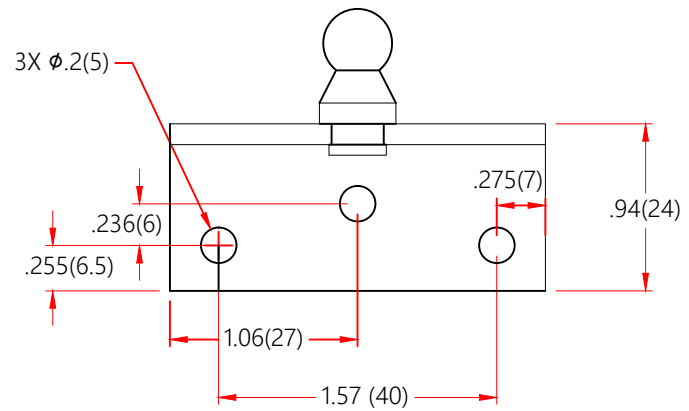
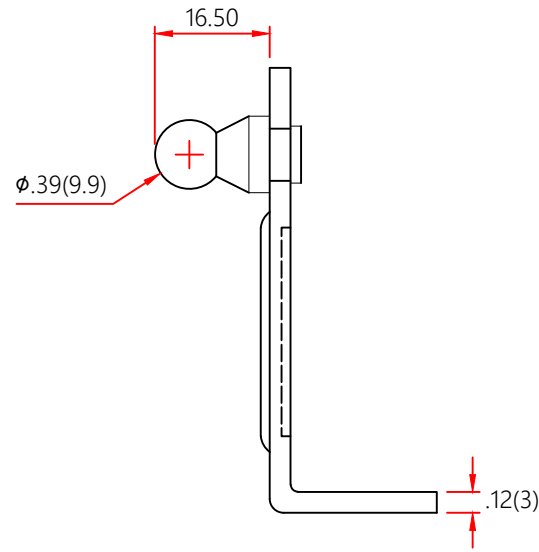
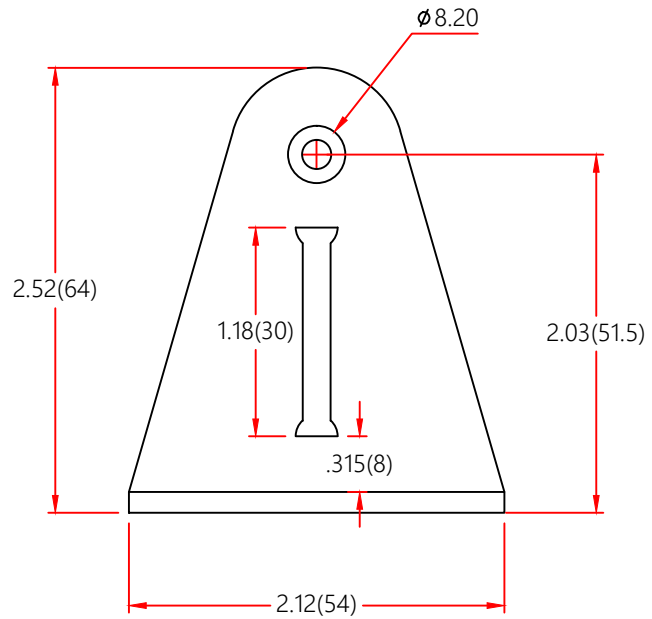


REVISION HISTORY			
REV	DESCRIPTION	DATE	APPROVED



Material: Stainless Steel

<b>NORMONT</b>	DRAWN	NAME Faith	DATE 3/26/21
	CHECKED		
<small>THIS DOCUMENT AND ITS CONTENTS ARE THE PROPERTY OF NUJOMENG. THIS DOCUMENT CONTAINS CONFIDENTIAL PROPRIETARY INFORMATION. THE REPRODUCTION, DISTRIBUTION, UTILISATION OR THE COMMUNICATION OF THIS DOCUMENT OR ANY PART THEREOF, WITHOUT EXPRESS AUTHORIZATION IS STRICTLY FORBIDDEN.</small>	DWG NO NBR03-01SS		REV 0
	TITLE Gas spring bracket		
	TOLERANCES	THIRD ANGLE PROJECTION	SCALE
X.X ± 0.060		N.T.S.	
X.XX ± 0.030		SIZE	
X.XXX ± 0.015		B	
ANGLES ± FE	SHEET 1 OF 1		
HOLES ± 0.005			
REMOVE ALL BURRS & BREAK ALL SHARP EDGES	ALL DIMENSIONS ARE IN <b>Inch</b> UNLESS OTHERWISE SPECIFIED		