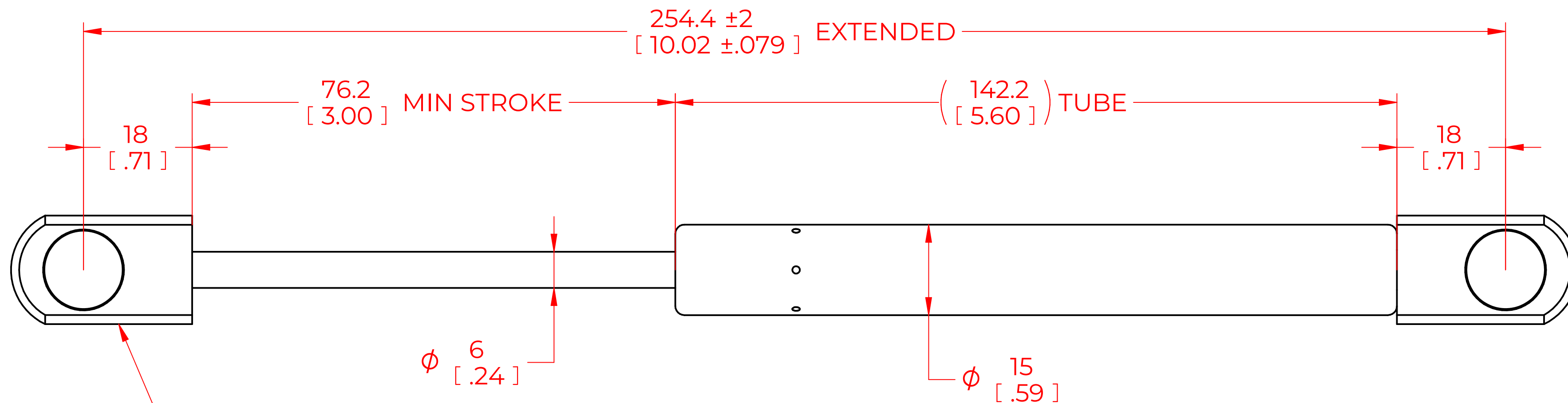


REVISION HISTORY			
REV	DESCRIPTION	DATE	APPROVED
1			
2			
3			



FBI
 EYELET METAL CONNECTOR
 M6 THREAD
 HOLE ϕ 13MM \pm 0.06
 10MM THICKNESS
 TYP

DAMPENING SPECS		
DAMPENING TYPE	SPEED (40LBS OF LOAD)	MAX FORCE
MEDIUM/ EXTENSION	2.3 "/s 58.42 mm/s	60 LBS / 267 N

- NOTES:
- 1) MATERIAL: CYLINDER - HEAVY GAUGE STEEL, BLACK PAINT. ROD - HARDENED STEEL BLACK NITRIDE.
 - 2) DIMENSIONS ASSUMING END CONNECTORS ARE FULLY FASTENED.
 - 3) DRAWING LENGTHS (NOT DIMENSIONED) OF CYLINDER AND ROD BODIES ARE NOT TO SCALE.
 - 4) OPERATING TEMPERATURE: -30°C TO +80°C.
 - 5) STANDARD LABEL TO INCLUDE PART NUMBER, DATE CODE AND WARNING MESSAGE. LABEL NOT TO BE REMOVED.
 - 6) DAMPER NOT TO BE CHANGED OR MODIFIED FROM ITS ORIGINAL MANUFACTURED INTENT.
 - 7) DAMPER IS SUGGESTED TO BE MOUNTED SHAFT DOWN (ROD DOWN) FOR MAXIMUM PERFORMANCE.
 - 8) IF APPLICABLE, CONNECTORS TO BE ORIENTED AS SHOWN \pm 5°.
 - 9) DAMPER WILL BE INDIVIDUALLY PACKED IN SEALED AND CLEAR PLASTIC BAGS TO AVOID DAMAGE, DUST, OR OTHER FOREIGN OBJECTS.
 - 10) DAMPER TO BE ASSEMBLED WITH END FITTINGS COMPLETELY FASTENED.
 - 11) DAMPERS ARE NOT TO BE OPENED.
 - 12) IF APPLICABLE, GREASE TO BE INCLUDED INSIDE THE BALL SOCKET OF THE END FITTINGS.

NORMONT	NAME	DMA	DATE	11/21/2024
	DRAWN			
THIS DOCUMENT AND ITS CONTENTS ARE THE PROPERTY OF NORMONT THIS DOCUMENT CONTAINS CONFIDENTIAL PROPRIETARY INFORMATION. THE REPRODUCTION, DISTRIBUTION, UTILISATION OR THE COMMUNICATION OF THIS DOCUMENT OR ANY PART THEREOF, WITHOUT EXPRESS AUTHORISATION IS STRICTLY FORBIDDEN.	CHECKED			
	PART No.	NSDEM-3S-FB1		REV
	TITLE	MEDIUM DAMPENING EXTENSION DAMPER		
	TOLERANCES	X.X	\pm 0.060	THIRD ANGLE PROJECTION
	X.XX	\pm 0.030	NTS	
	X.XXX	\pm 0.010	SIZE	
	ANGLES	\pm 1°	C	
REMOVE ALL BURRS AND BREAK ALL SHARP EDGES	ALL DIMENSIONS ARE DUAL UNLESS OTHERWISE SPECIFIED	HOLES	\pm 0.005	SHEET 1 OF 1