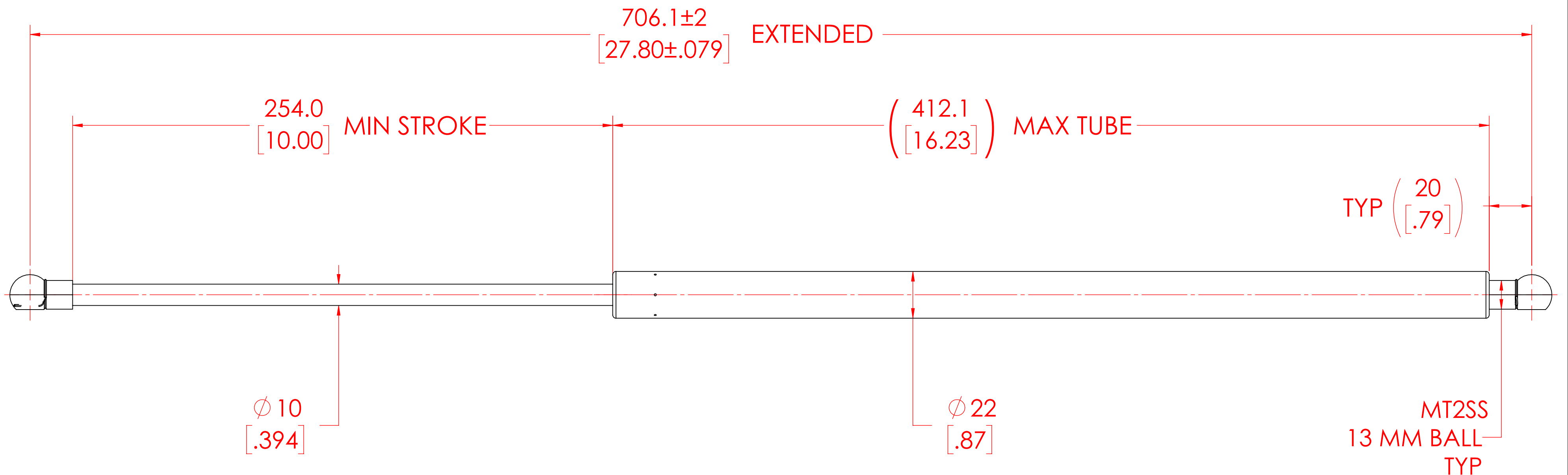


REVISION HISTORY			
REV	DESCRIPTION	DATE	APPROVED



FORCES (STATICALLY MEASURED)	
F1	F2
150 LBS (667 N) +10% -5%	-

**NOTES:**

- 1) MATERIAL: CYLINDER - STAINLESS STEEL 316, NO PAINT / ROD - STAINLESS STEEL 316.
- 2) OPERATING TEMPERATURE: -40°C TO +80°C.
- 3) STANDARD PART IDENTIFICATION TO INCLUDE PART NUMBER, DATE CODE AND WARNING MESSAGE.
- 4) GAS SPRING IS SUGGESTED TO BE MOUNTED SHAFT DOWN (ROD DOWN) FOR MAXIMUM PERFORMANCE.
- 5) END FITTINGS TO BE ORIENTED AS SHOWN ±5°.
- 6) GAS SPRINGS WILL BE SEALED IN CLEAR PLASTIC BAGS TO AVOID DAMAGE, DUST, OR OTHER FOREIGN OBJECTS.
- 7) GAS SPRING TO BE ASSEMBLED WITH END FITTINGS COMPLETELY FASTENED.
- 8) GREASE TO BE INCLUDED INSIDE THE BALL SOCKET OF THE END FITTINGS.

<b>NORMONT</b>	NAME	DATE		
	DRAWN DMA	05/06/2024		
THIS DOCUMENT AND ITS CONTENTS ARE THE PROPERTY OF NORMONT THIS DOCUMENT CONTAINS CONFIDENTIAL PROPRIETARY INFORMATION. THE REPRODUCTION, DISTRIBUTION, UTILISATION OR THE COMMUNICATION OF THIS DOCUMENT OR ANY PART THEREOF, WITHOUT EXPRESS AUTHORISATION IS STRICTLY FORBIDDEN.	CHECKED			
	PART No. NSSG2780L150MT2SS	REV -		
	TITLE STAINLESS STEEL GAS SPRING			
REMOVE ALL BURRS AND BREAK ALL SHARP EDGES	TOLERANCES		THIRD ANGLE PROJECTION	SCALE
	XX ± 0.060			NTS
	X.XX ± 0.030		SIZE	
	X.XXX ± 0.010		C	
	ANGLES ± 1°			
HOLES ± 0.005	SHEET 1 OF 1			