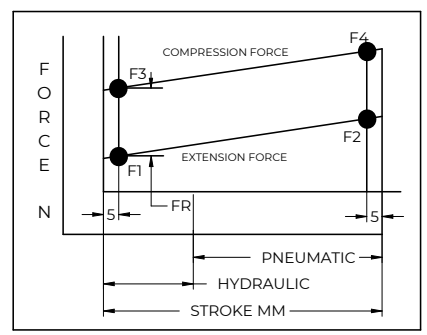
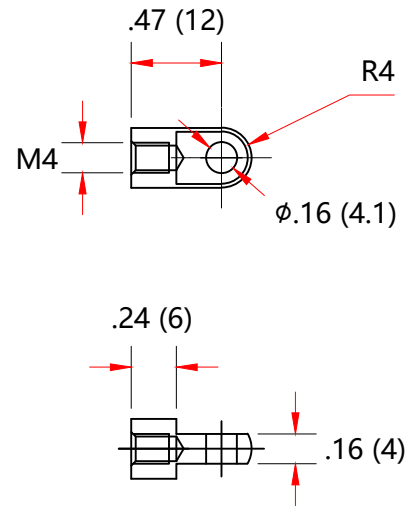
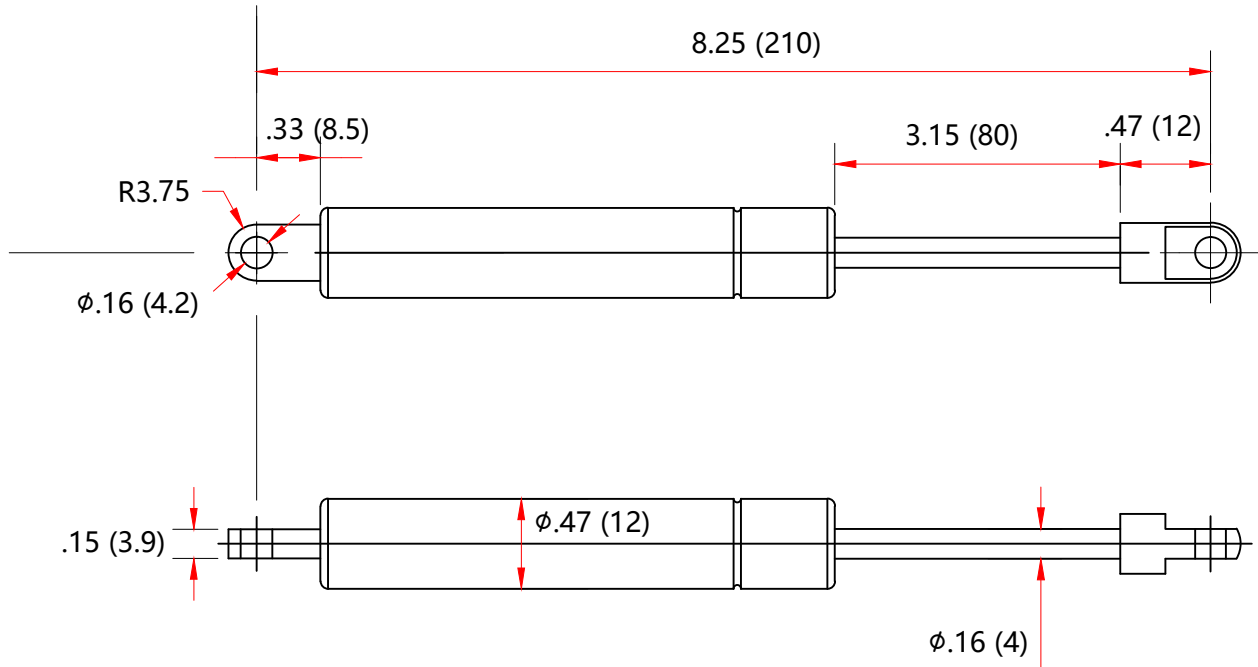


REVISION HISTORY			
REV	DESCRIPTION	DATE	APPROVED



FORCES (STATICALLY MEASURED)	
F1	(F2)
5 LBS (22 N)	+15 N -15 N

- NOTES:**
- 1) MATERIAL: CYLINDER - STAINLESS STEEL 316. ROD - STAINLESS STEEL 316.
 - 2) DIMENSIONS ASSUMING END CONNECTORS ARE FULLY SCREWED INTO PLACE.
 - 3) DRAWING LENGTHS (NOT DIMENSIONED) OF CYLINDER AND ROD BODIES ARE NOT TO SCALE.
 - 4) OPERATING TEMPERATURE: -30°C TO +80°C.
 - 5) STANDARD LABEL TO INCLUDE PART NUMBER, DATE CODE AND WARNING MESSAGE. LABEL NOT TO BE REMOVED.
 - 6) GAS SPRING NOT TO BE CHANGED OR MODIFIED FROM ITS ORIGINAL MANUFACTURED INTENT.
 - 7) GAS SPRING IS SUGGESTED TO BE MOUNTED SHAFT DOWN (ROD DOWN) FOR MAXIMUM PERFORMANCE.
 - 8) CONNECTORS TO BE ORIENTED AS SHOWN ±5°.
 - 9) GAS SPRINGS WILL BE SEALED IN CLEAR PLASTIC BAGS TO AVOID DAMAGE, DUST, OR OTHER FOREIGN OBJECTS.
 - 10) GAS SPRINGS TO BE ASSEMBLED WITH END FITINGS COMPLETELY FASTENED.
 - 11) GAS SPRINGS ARE NOT TO BE OPENED.

NORMONT	DRAWN	NAME	DATE
	CHECKED	CSH	06/29/2023
	DWG NO	NSSM825A5E	REV 0
	TITLE Gas Spring		
REMOVE ALL BURRS & BREAK ALL SHARP EDGES	TOLERANCES		THIRD ANGLE PROJECTION
	X.X	±0.060	
	X.XX	±0.030	
	X.XXX	±0.015	
ALL DIMENSIONS ARE IN inch UNLESS OTHERWISE SPECIFIED		ANGLES	±FE
		HOLES	±0.005
		SHEET 1 OF 1	
		SCALE	N.T.S.
		SIZE	B