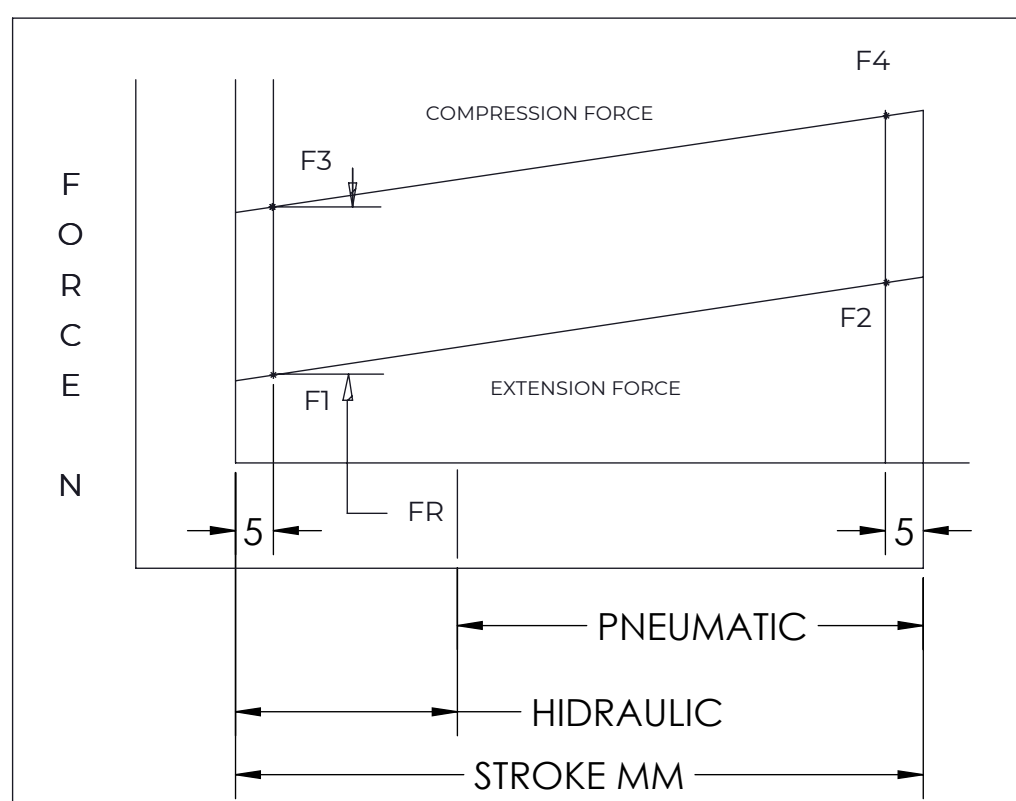
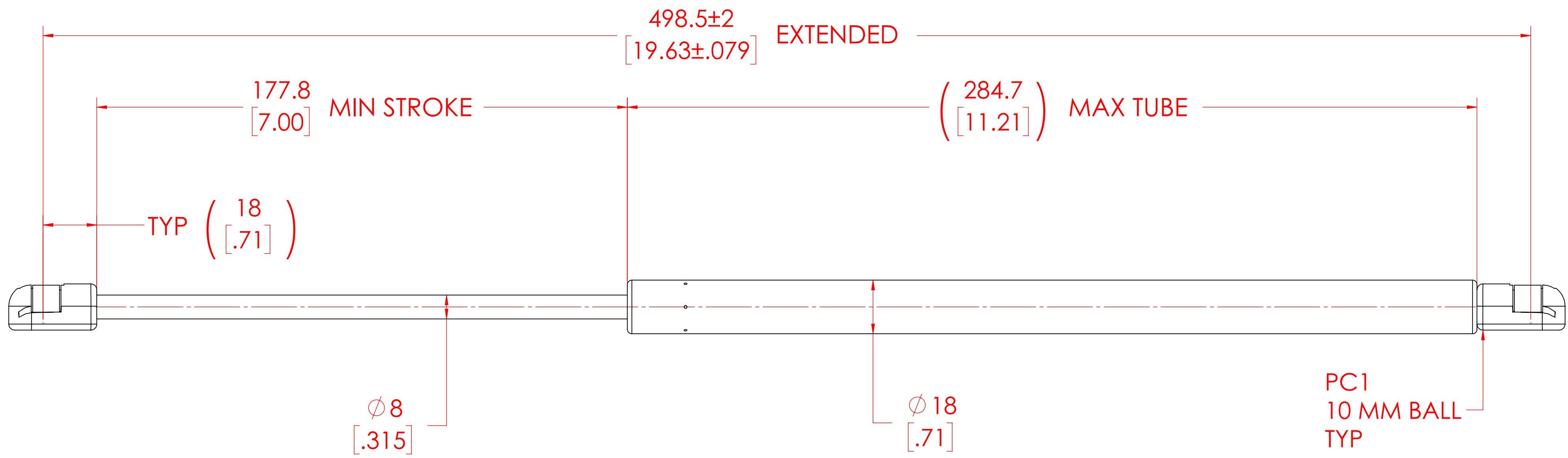


REVISION HISTORY			
REV	DESCRIPTION	DATE	APPROVED

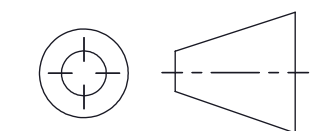


FORCES (STATICALLY MEASURED)	
F1	F2
150 LBS (667 N) +25N -10N	-

- NOTES:**
- 1) MATERIAL: CYLINDER - STAINLESS STEEL 316, NO PAINT / ROD - STAINLESS STEEL 316.
 - 2) OPERATING TEMPERATURE: -40°C TO +80°C.
 - 3) STANDARD PART IDENTIFICATION TO INCLUDE PART NUMBER, DATE CODE AND WARNING MESSAGE.
 - 4) GAS SPRING IS SUGGESTED TO BE MOUNTED SHAFT DOWN (ROD DOWN) FOR MAXIMUM PERFORMANCE.
 - 5) END FITTINGS TO BE ORIENTED AS SHOWN ±5°.
 - 6) GAS SPRINGS WILL BE SEALED IN CLEAR PLASTIC BAGS TO AVOID DAMAGE, DUST, OR OTHER FOREIGN OBJECTS.
 - 7) GAS SPRING TO BE ASSEMBLED WITH END FITTINGS COMPLETELY FASTENED.
 - 8) GREASE TO BE INCLUDED INSIDE THE BALL SOCKET OF THE END FITTINGS.

NORMONT	NAME	DATE
	DRAWN	DMA
THIS DOCUMENT AND ITS CONTENTS ARE THE PROPERTY OF NORMONT THIS DOCUMENT CONTAINS CONFIDENTIAL PROPRIETARY INFORMATION. THE REPRODUCTION, DISTRIBUTION, UTILISATION OR THE COMMUNICATION OF THIS DOCUMENT OR ANY PART THEREOF, WITHOUT EXPRESS AUTHORISATION IS STRICTLY FORBIDDEN.	CHECKED	
	PART No.	NSSG1963M150PC1
	TITLE	STAINLES STEEL GAS SPRING
REMOVE ALL BURRS AND BREAK ALL SHARP EDGES	TOLERANCES	SCALE
	XX ± 0.060	THIRD ANGLE PROJECTION
	X.XX ± 0.030	
	X.XXX ± 0.010	SIZE
	ANGLES ± 1°	
HOLES ± 0.005	SHEET 1 OF 1	

ALL DIMENSIONS ARE **DUAL** UNLESS OTHERWISE SPECIFIED



NTS

C